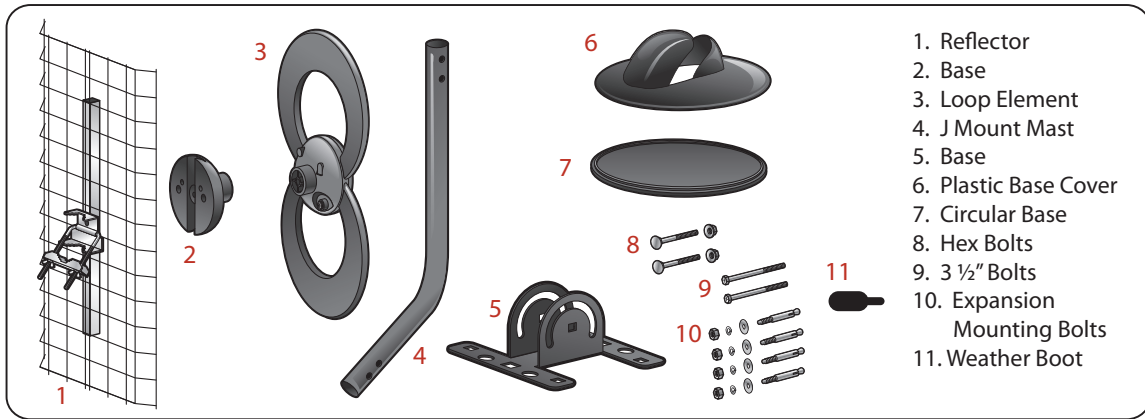


CLEARSTREAM 2™ WITH MOUNT

Before attaching the antenna to any surface, TEST RECEPTION in that area.

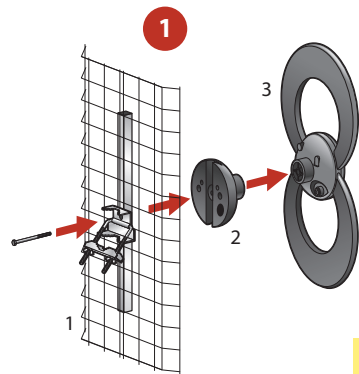
Connect the antenna to the TV or receiver and run a full channel scan.
If reception is not as desired move the antenna and rescan TV/receiver.



1. Reflector
2. Base
3. Loop Element
4. J Mount Mast
5. Base
6. Plastic Base Cover
7. Circular Base
8. Hex Bolts
9. 3 1/2" Bolts
10. Expansion Mounting Bolts
11. Weather Boot

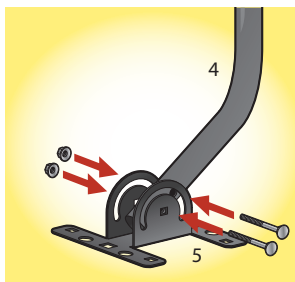
Indoor Wall / Outdoor Roof Mount

Before beginning assembly, make sure all pieces needed are present.
Tools Required: Adjustable Wrench, Power Drill, 5/16" Drill Bit

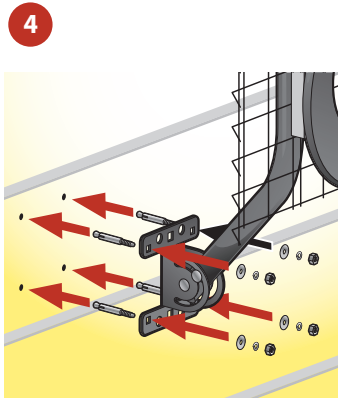
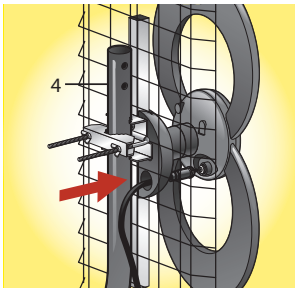


Thread coaxial cable through reflector (1) and hole in base (2) and connect cable to connector on back of loop element (3). Secure reflector, base and loop together with 3 1/2" bolt.

2
Place mast (4) into middle of base (5) and secure with 2 hex bolts. Do not tighten completely.



3
Install antenna on mast (4) by slipping clamp on back of reflector (1) over mast pipe and tighten thumb screws.

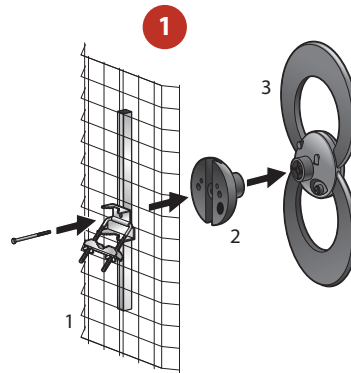


Mark base position on your surface. Adjust mast so it is vertical and tighten nuts. Drill a 5/16" hole, 2 inches deep for each mounting bolt. Place base over holes, insert expansion bolts and tap into position. Then tighten nuts to secure bolt and base to your surface.

Point antenna in direction of your TV stations' transmission towers, connect opposite end of coaxial cable to your TV or receiver and check reception.

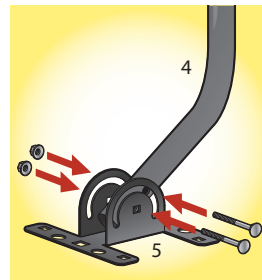
Free-Standing Indoor Use

Before beginning assembly, make sure all pieces needed are present. Tools Required: Adjustable Wrench

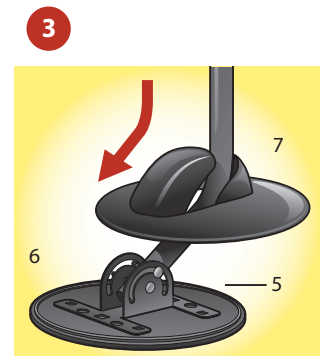


Thread coaxial cable through reflector (1) and hole in base (2) and connect cable to connector on back of loop element (3). Secure reflector, base and loop together with 3 1/2" bolt.

2
Place mast (4) into middle of base (5) and secure with 2 hex bolts. Do not tighten completely.



Place base (5) on flat surface. Adjust mast so it is vertical and tighten the two nuts. Place assembled mast and base on to circular ring base (6) and slip plastic base cover (7) over mast and attach to circular ring base.



Install antenna on mast (4) by slipping clamp on back of reflector (1) over mast pipe and tighten thumb screws.

Point antenna in direction of your TV stations' transmission towers, connect the opposite end of coaxial cable to your TV or receiver and check reception.



Call Our HELP LINE at 877-825-5572
One of our specialists can talk you through any problems you may have.