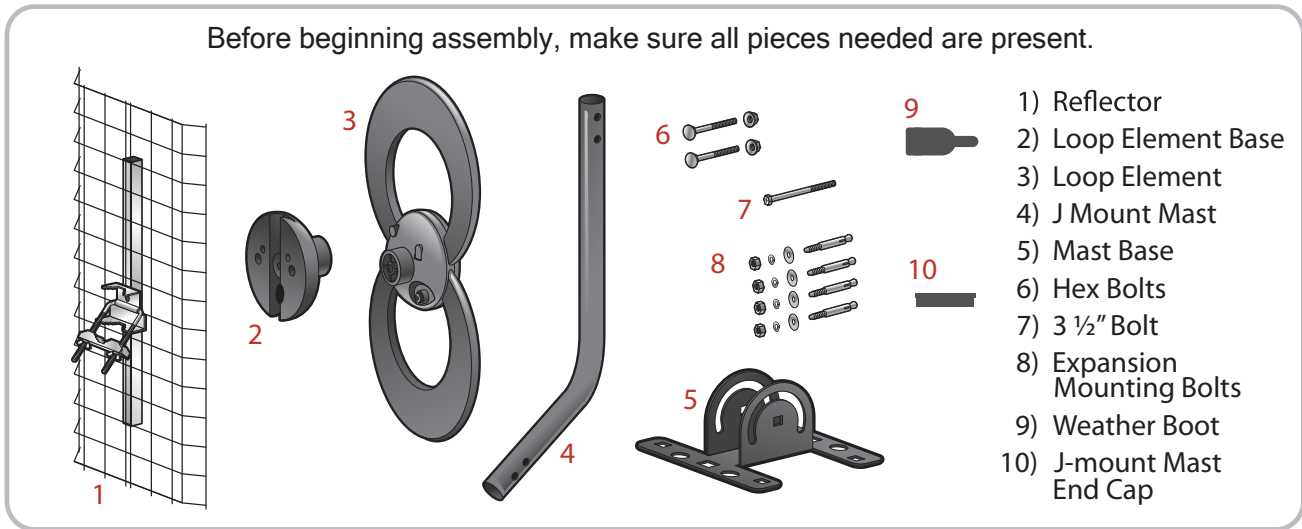


CLEARSTREAM 2™ WITH MOUNT

Before attaching the antenna to any surface, TEST RECEPTION in that area.

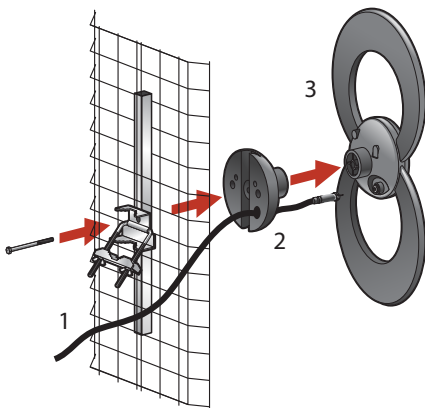
Connect the antenna to the TV or receiver and run a full channel scan.
If reception is not as desired, move the antenna and rescan TV/receiver.

Before beginning assembly, make sure all pieces needed are present.



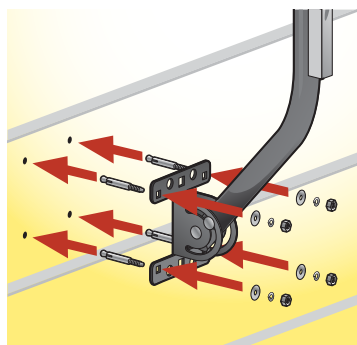
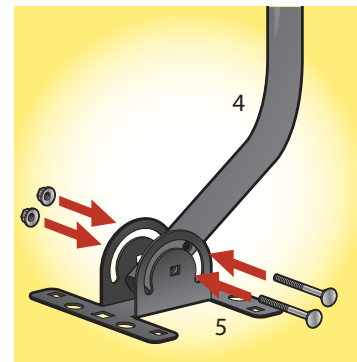
Indoor Wall / Outdoor Roof Mount

Tools Required: Adjustable Wrench, Power Drill, 5/16" Drill Bit, Medium-sized Cross Point Screwdriver.



1
Thread coaxial cable through reflector (1) then hole in loop element base (2) and connect cable to connector on back of loop element (3). Secure reflector, base and loop together with 3 1/2" bolt.

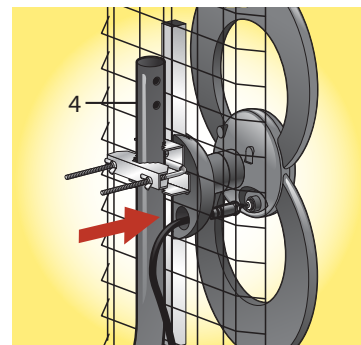
2
Place mast (4) into middle of mast base (5) and secure with 2 hex bolts.



3
Mark mast base position on your surface. Adjust mast so it is vertical and tighten nuts. Drill a 5/16" hole, 1 1/2 inches deep for each mounting bolt. Insert expansion bolts and tap into position. Place base over mounting bolts, then tighten nuts to secure bolts and base to your surface.

4
Install antenna on mast (4) by positioning clamp on to mast. Install wing nuts but do not tighten them completely.

Point antenna in direction of your TV stations' transmission towers, (to locate your towers, go to www.antennapoint.com or contact your local TV stations.) Perform channel scan and check reception.



NOTE: For outside installation, we have included a weather boot (9), which can be cut to cable connector size.

Call Our HELP LINE at 877-825-5572

One of our specialists can talk you through any problems you may have.



Warning! Keep Away From Power Lines.