

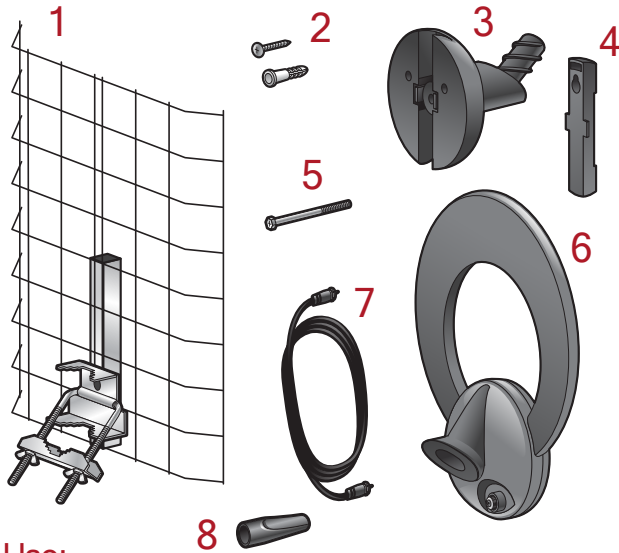
CLEARSTREAM 1 CONVERTIBLE™

Before attaching the antenna to any surface, TEST RECEPTION in that area.

Connect the antenna to the TV or receiver and run a full channel scan.
If reception is not as desired, move the antenna and rescan TV/receiver.

Tools Required: Medium cross point screwdriver, power drill, and 7/32" drill bit.

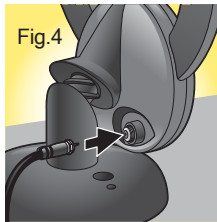
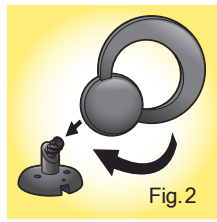
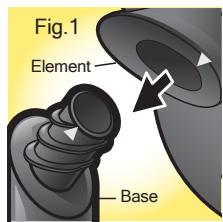
Before beginning assembly, make sure all pieces needed are present.



The CLEARSTREAM 1 CONVERTIBLE™ comes with:

- 1) Reflector with bar and adjustable mast clamp
- 2) 1" Screw and drywall anchor for wall mount option
- 3) Antenna Base
- 4) Base Center Bar
- 5) 4 5/8" Threaded Bolt
- 6) Loop Element
- 7) 6 ½' Coax Cable
- 8) Weather Boot (for outside installation)

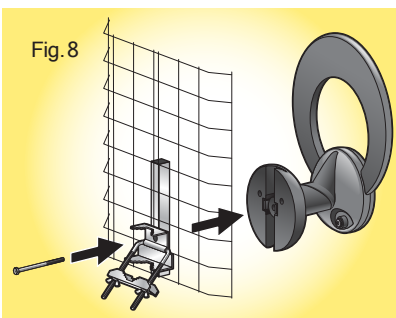
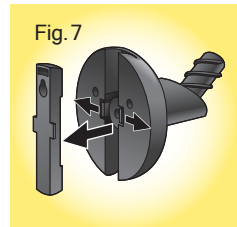
Table Top Use:



1. Align triangle symbols on threaded base and back of loop element (6) (Fig. 1).
2. Begin turning the loop element clockwise to secure onto base (3) (Fig. 2).
3. Rotate element until loop is in upright position (Fig. 3).
4. Connect coax cable (7) to antenna (Fig. 4). Antenna is now ready for use.

Outdoor Use:

1. Remove base center bar (4) by pulling outward on tabs (Fig. 7). Base center bar will then pop out.
2. Align triangle symbols on threaded base (3) and back of loop element (6) (Fig. 1).
3. Begin turning the loop element clockwise to secure onto base (Fig. 2).
4. Rotate loop element until flush with neck of base (Fig. 5).
5. Connect coax cable (7) to loop element (Fig. 4).
6. Position reflector (1) with mast clamp at bottom (Fig. 8).

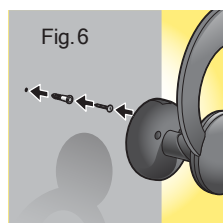
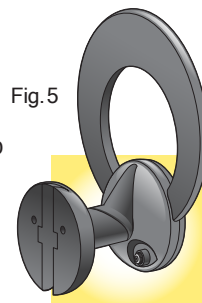


7. Attach the assembled antenna onto the reflector bar by threading supplied through the adjustable mast clamp, reflector bar and into the base (3) (Fig. 8).

8. Loosen mast clamp wing nuts enough to slide mast between mast clamps. After mast is inserted, tighten wing nuts on mast clamps. Note: mast sold separately.

Wall Mount Use:

1. Align triangle symbols on threaded base and back of loop element (6) (Fig. 1).
2. Begin turning the loop element clockwise to secure onto base (3) (Fig. 2).
3. Rotate loop element until flush with neck of base (Fig. 5). Connect coax cable (7) to antenna (Fig. 4).
4. Test Reception - Before attaching the antenna to any surface, test reception in that area. Connect the antenna to the TV or receiver and run a full channel scan. If reception is not as desired, move the antenna and rescan TV receiver.



5. Drill a 7/32" hole and insert the drywall anchor provided (2) (Fig. 6).
6. Turn screw into the anchor until screw head is within 1/8" from wall.
7. Slip the mounting hole on the base over the screw. Antenna is now mounted and ready for use. Antenna is now ready for use.

9. Test Reception - Before attaching the antenna to any surface, test reception in that area. Connect the antenna to the TV or receiver and run a full channel scan. If reception is not as desired, move the antenna and rescan TV/receiver. Antenna is now ready for use.



Warning! Keep Away From Power Lines.

Call Our HELP LINE at 877-825-5572
One of our specialists can talk you through any problems you may have.