



CDA4

**Included in this box:**

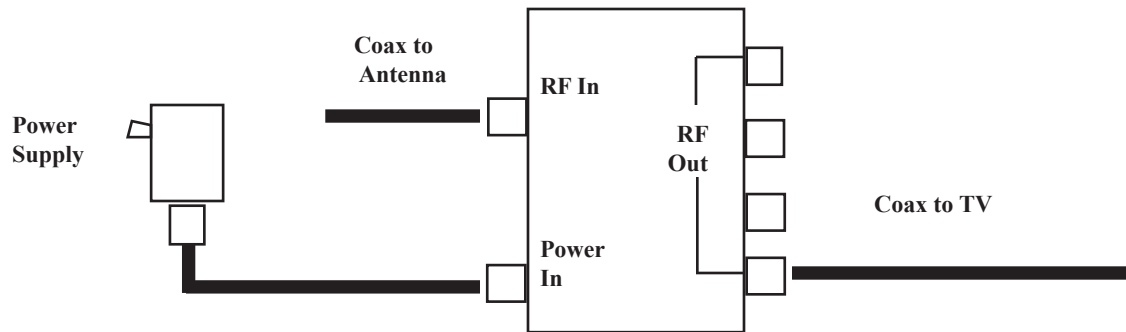
- drop amp
- power supply for indoor use

**You may need:**

- screws and anchors for mounting
- coaxial cable with male F- connector
- grounding wire
- power inserter for outside installation
- 75 ohm terminators

**General Precautions:**

- This product is for use with an antenna or cable TV system.
- The drop amp does not have a power switch; the power is on as soon as the AC adapter is plugged into an electrical outlet.
- Terminate any unused ports with a 75 ohm terminator.

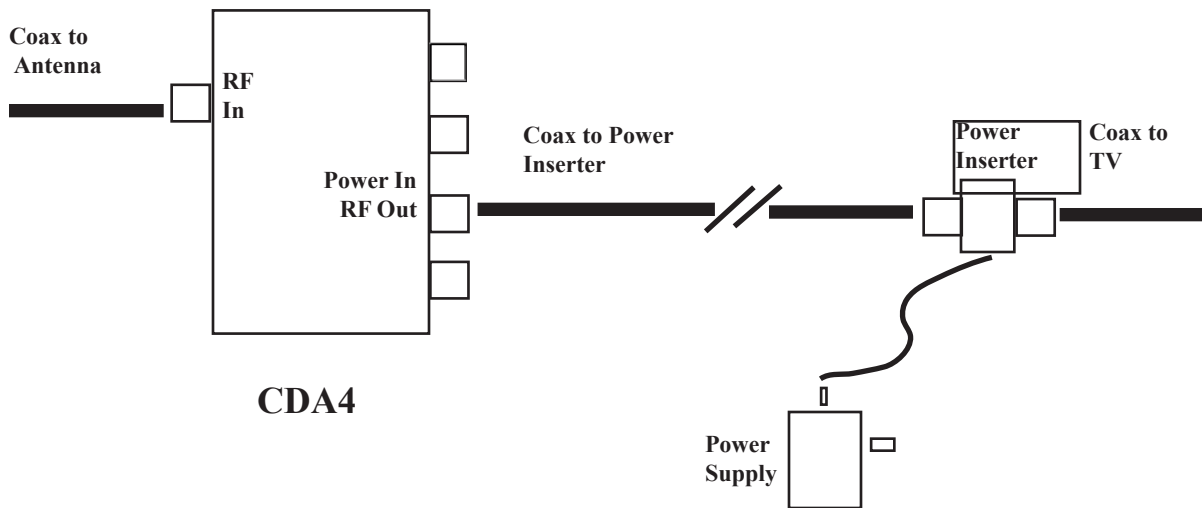


CDA4

**Indoor Installation:**

- Make all the connections to the drop amp before plugging it into an electrical outlet.
- Find a location close to your antenna or CATV cables.
- Mount the amplifier to a stud or wall.
- Connect the power supply included in the box to the top left amp port labelled 'POWER IN' using a piece of 75 ohm coaxial cable.
- Connect the antenna or CATV cable coming into the home to the top right port labelled 'RF IN'.
- Connect cables going to individual televisions to the out ports.
- Terminate any unused ports with F connector terminators.
- Plug power supply into electrical outlet. Check to see if power LED on amp is illuminated.

## Outdoor Installation



### Outdoor Installation or Installations with Remote Power Access:

For outdoor installation, we recommend using water sealing F connector boots or an outdoor weather resistant box. Make all the connections to the drop amp before plugging it into an electrical outlet.

- Find a location close to your antenna or CATV cables.
- Mount the amplifier to a stud or wall.
- Connect the 'To AMP' or 'Power' port on the power inserter( not included) to the 'POWER IN/RF OUT' port on the amp using a piece of 75 ohm coaxial cable.
- Connect another length of 75 ohm cable to the 'TO RECEIVER' or 'RF' port on the power inserter to one of the televisions.
- Connect the antenna or CATV cable coming into the home to the top right port labelled 'RF IN'.
- Connect cables going to individual televisions to the out ports.
- Terminate any unused ports with F connector terminators.
- Plug power supply into electrical outlet. Check to see if power LED on amp is illuminate

**WARNING: RISK OF ELECTRICAL SHOCK. DO NOT OPEN THE HOUSING. DO NOT EXPOSE THE AMP TO WATER OR MOISTURE.**