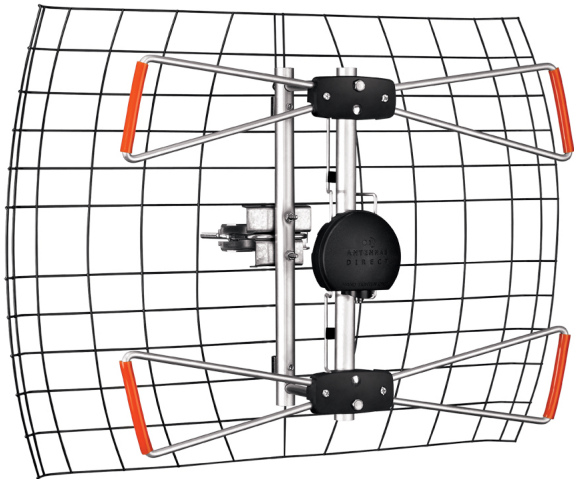




## ANTENNAS DIRECT® DB2e

Antennas Direct® reinvents its line of bowtie antennas. Meet the Enhanced DB2. The new design of the DB2e antenna destroys decades long misconceptions about bowtie antenna efficiencies.

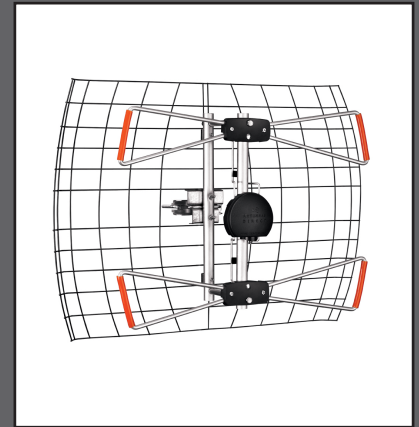


Most engineers said it couldn't or wouldn't be done, but Antennas Direct® has proven them wrong with the reinvention of the company's bowtie antennas, the Enhanced DB2 line. Even though this type of antenna technology has not seen significant advancement in 30 years, Antennas Direct® has once again taken a legacy antenna design and transformed it into a new, disruptive technology for today's changing TV audience.

The DB2e is specially designed for the core UHF spectrum. With upgrades in the line, the gain will be significantly higher and the design is more compact, thus expanding your options for placement of the antenna. The DB2e antenna offers twice the power and half the size for a reliable and cost effective installation. This multidirectional antenna is ideal for indoor, outdoor, and problematic areas, like attics. The antenna is easy to assemble and can be roof mounted.

Range is rated up to 45 miles, making it ideal for those in locations that can pull long range signals from various directions.

### ANTENNAS DIRECT® DB2e



- Range: Up to 45+ miles
- Peak gain: 12 dBi
- Front to back ratio greater than 18 dB
- Strong performance across DTV spectrum
- All weather Balun included
- Flexible aiming characteristics, 60° Beam-width
- Indoor, outdoor and attic use

SKU #	Master Carton	Item Description	Retail
DB2 - E	10	Enhanced DB2	\$69.99

