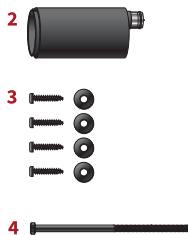
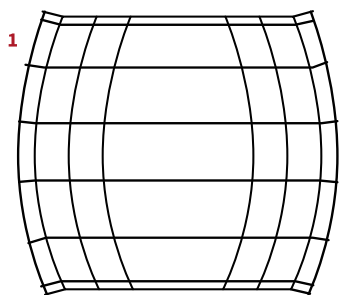


CLEARSTREAM 1MAX™

REFLECTOR ASSEMBLY SYSTEM

Before beginning assembly, make sure all parts needed are present.

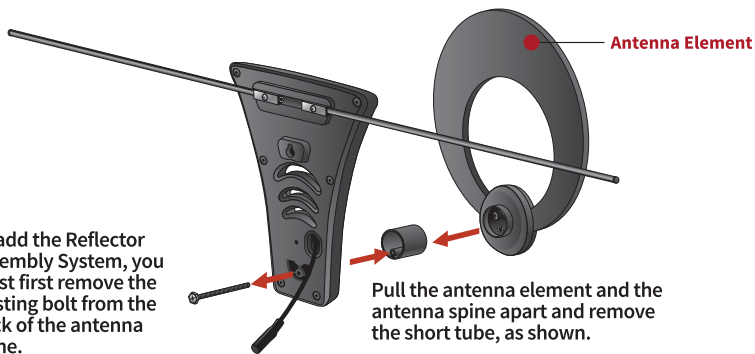


The ClearStream 1MAX™ Reflector Assembly System comes with:

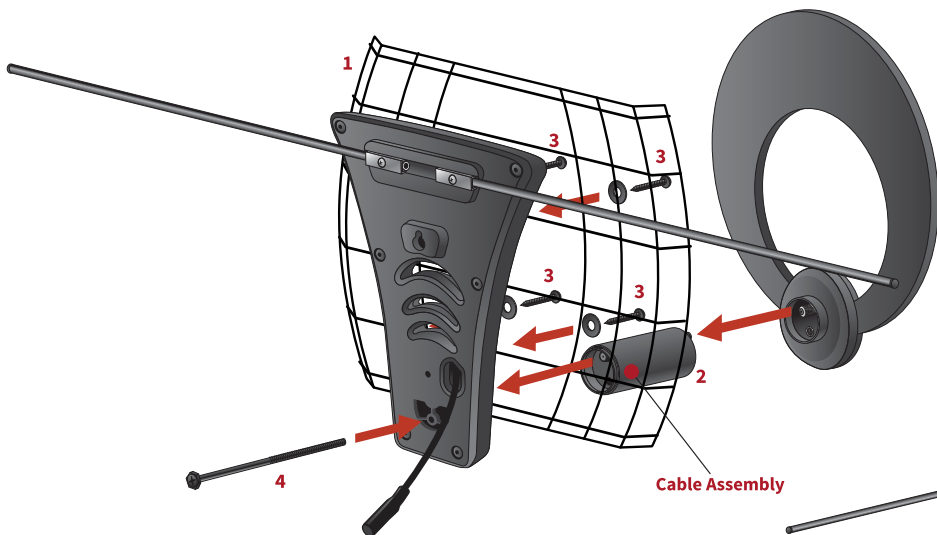
- 1) Reflector
- 2) Cable Assembly
- 3) 4 – Screws and Washers
- 4) Long Bolt



To add the Reflector Assembly System, you must first remove the existing bolt from the back of the antenna spine.



Pull the antenna element and the antenna spine apart and remove the short tube, as shown.

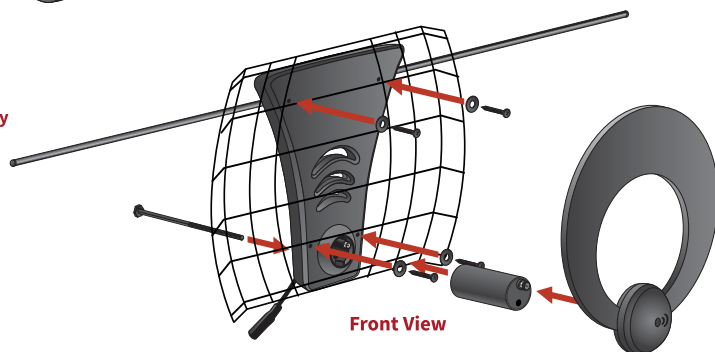


Using the 4 Screws and Washers (3), attach the Reflector (1) to the spine, as shown.

Connect the male side of the Cable Assembly (2) into the antenna spine and push down until it is secure.

Attach the antenna element to the female side of the Cable Assembly (2).

Use the Long Bolt (4) to secure the antenna spine, Cable Assembly (2), and the antenna element.



You are now ready to reinstall your antenna.

Point the front of the antenna in the direction of your TV stations' broadcast towers and check the reception by scanning for channels. If you are not receiving all of the available channels, move the antenna and rescan.



Call to Learn.
Toll-Free Helpline: 1-877-825-5572

Technical Assistance is available Monday – Friday, 9:00 am to 7:00 pm and Saturday – Sunday, 10:00 am to 6:00 pm, Central Time.



Warning! Keep Away From Power Lines.

TROUBLESHOOTING:

Problem: I'm not getting any signals at all.

Possible causes:

1. Analog-only televisions (manufactured before 2007) need a digital converter box. You **MUST** perform a channel scan on the converter box.
2. A digital TV must be programmed in order to receive digital channels. Refer to your TV owner's manual for instructions.
 - a) Your TV must be set to the proper input source. Press the input button on your remote and make sure the input is set to TV.
 - b) Select the menu or home button on your remote and set the signal type to "Antenna", "Air", or "Broadcast".
 - c) Within the TV's Setup menu, select "Channel" or "Channel scan" to scan for the available channels.
3. Make sure the antenna is facing the broadcast tower locations serving your area. Visit www.antennapoint.com for more information on broadcasters and tower locations serving your area.
4. **Outdoor Use:** You do not have a clear line of sight to your local broadcast towers. You might need to elevate and/or move your antenna. Make certain the antenna is not aimed into physical obstacles such as a roof, building, or trees. Remember to rescan for channels in every location.
5. You are outside the range of your antenna's capabilities. Depending upon the distance between your home and the local broadcast towers, you may need a longer range outdoor/attic antenna. Antennas Direct offers many models for this purpose.

6. You may have loose coaxial cable connections. Check ALL connections for a tight fit and check all outdoor connections for moisture or corrosion.

7. **Indoor Use:** Building materials such as brick, metal siding, radiant barrier, or stucco can greatly reduce the incoming signal. If in an attic, move the antenna outdoors. If outdoors, make certain the antenna is not aimed into physical obstacles, such as buildings, trees, or a hill. Remember to rescan every time you move your antenna.

Problem: I'm receiving every channel except for one.

Possible cause:

1. You may need to rescan the TV tuner or converter box. The channel you are not receiving may have its transmitter lower on the broadcast tower, or on a different tower than the other transmitters and your line of sight is obstructed. Try elevating the antenna or moving it to another location. Repeat as needed.

Problem: I'm having signal breakups, but I'm only two miles from the broadcast tower.

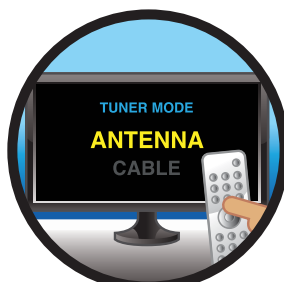
Possible cause:

1. Your TV may be receiving interfering signals. A larger/stronger antenna will not necessarily solve this problem. Consider moving the antenna, making sure it is not placed near metal objects or other antennas. If this is not successful, your signal may be too strong and may require the use of an attenuator. Call our helpline or chat with us online at antennasdirect.com for an analysis of your area and installation. We may be able to offer simple solutions.

Before You Return, Call To Learn.



For Tower Locations:
antennapoint.com



Input On Antenna Mode



Scanning is a Must
When in Doubt, Rescan

HELPLINE: 1-877-825-5572

MODEL #C1M-REF

Antennas Direct® Inc.
Lifetime Warranty

Antennas Direct® Inc. warrants this product against any defects in materials or workmanship for as long as you own the product. No warranty claim will be honored unless, at the time the claim is made, you present proof of purchase from an authorized Antennas Direct® Inc. dealer.

Antennas Direct® Inc. will either repair or replace the defective product at no charge to you. This warranty covers parts, but does not cover any costs incurred in the removal or reinstallation of the product. This limited warranty does not apply if the product is damaged or fails due to: misuse, improper installation, abuse, and modification of the product as originally manufactured by Antennas Direct.

Antennas Direct® Inc. will not assume any liabilities for any other warranties, expressed or implied by any other person. The foregoing shall be the sole and exclusive remedy of any person, whether in contract, tort, or otherwise, and Antennas Direct® Inc. shall not be liable for incidental or consequential damage or commercial loss, or for any other loss or damage, as set forth above.

16388 Westwoods Business Park, Ellisville, MO 63021, USA

©Antennas Direct 2019

11/19



Call to Learn.
Toll-Free Helpline: **1-877-825-5572**

Technical Assistance is available Monday – Friday, 9:00 am to 7:00 pm
and Saturday – Sunday, 10:00 am to 6:00 pm, Central Time.

