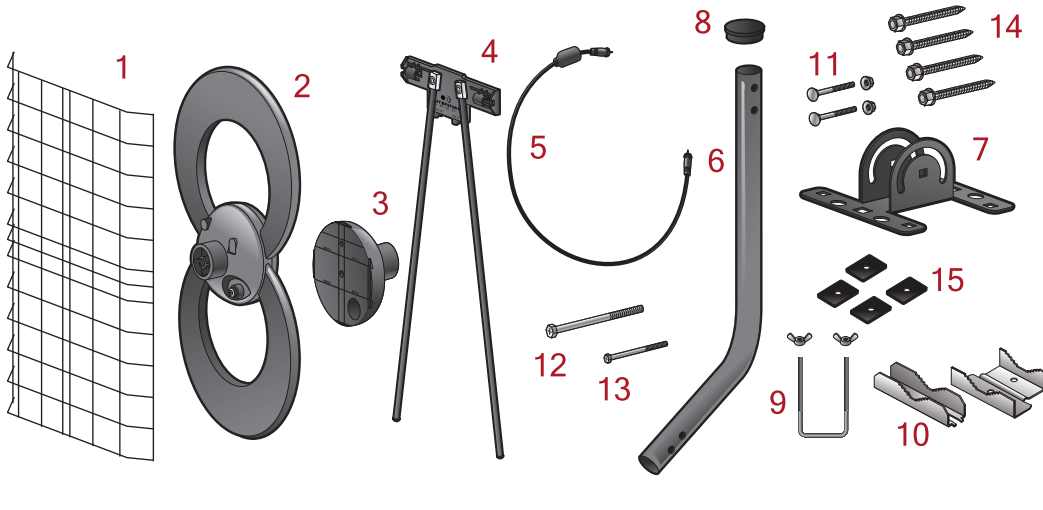


# CLEARSTREAM™ 2V

Before attaching the antenna to any surface, **TEST RECEPTION** in that area.

Connect the antenna to the converter box and run a **full channel scan**.  
If reception is not as desired, move the antenna and **rescan TV/converter box**.

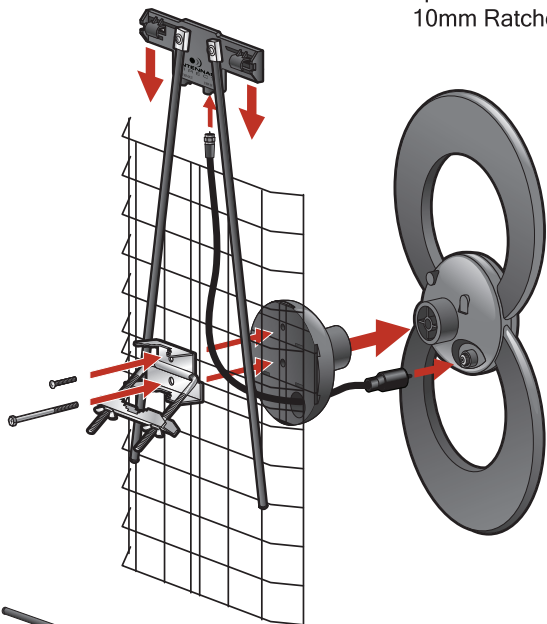
Before beginning assembly, make sure all pieces needed are present.



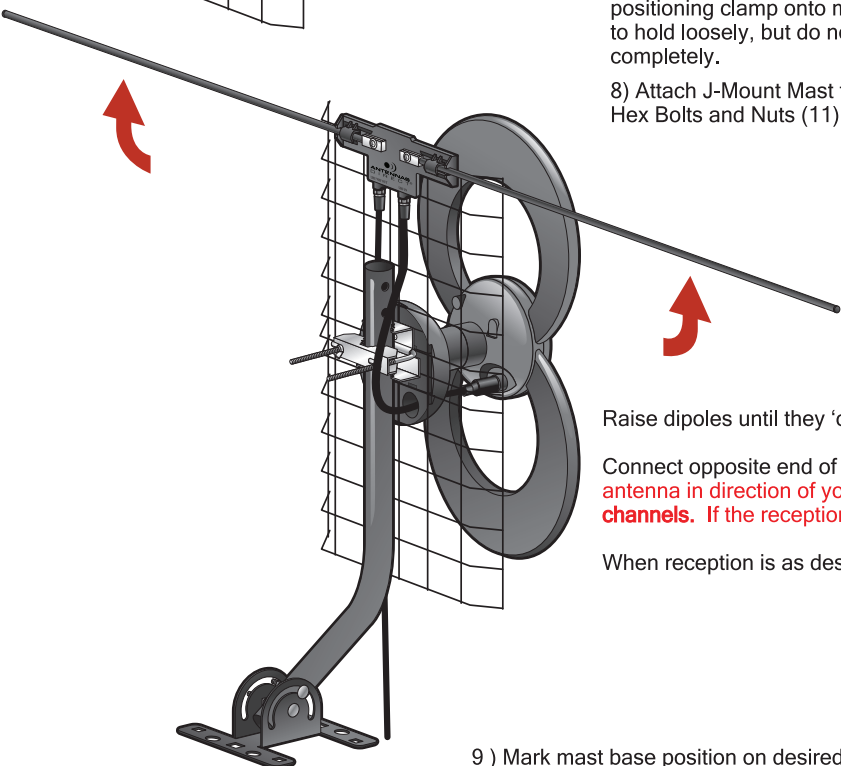
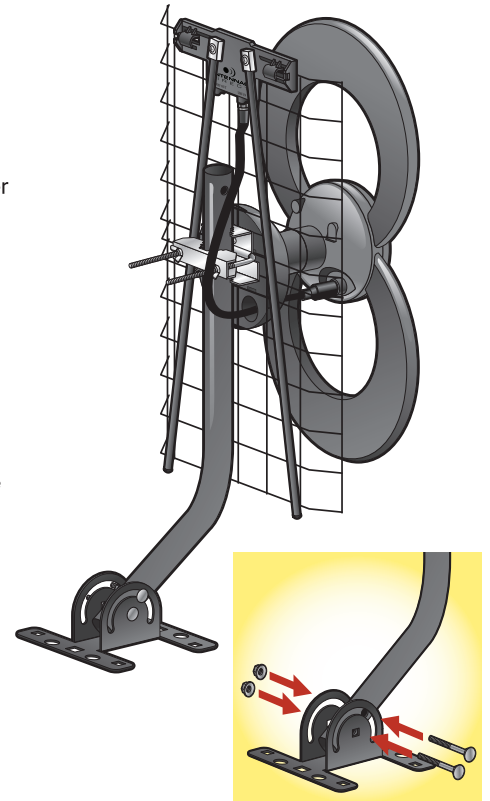
- The CLEARSTREAM™ 2V comes with:
- 1) Reflector
  - 2) Loop Element
  - 3) Antenna Base
  - 4) VHF Dipole Kit
  - 5) 12" Coaxial Cable with Weather Boot
  - 6) J-Mount Mast
  - 7) Mount Base
  - 8) Mount Mast End Cap
  - 9) Wing Nuts and U-Clamp
  - 10) Mast Clamps
- The CLEARSTREAM™ 2V comes with:
- 11) Hex Bolts and Nuts
  - 12) 3 1/2" Bolt
  - 13) 1 5/8" Threaded Bolt
  - 14) 1/4" x 50mm J-Mount Bolts
  - 15) Roof Sealing Pads

## Outdoor Assembly and Installation

Required: Coaxial Cable, Adjustable Wrench, Power Drill, 3/16" Drill Bit, 8 and 10mm Ratcheting Drivers, and a Medium-sized Cross Point Screwdriver.



- 1) Attach Antenna Base at the center of the Reflector and 'click' securely in place.
- 2) Attach the Mast Clamps and 1 5/8" Threaded Bolt (13), attach as shown and loosely screw on the wing nuts.
- 3) Thread Coaxial Cable end without the Weather Boot into UHF IN on the VHF Dipole Kit. Attach the VHF Dipole Kit onto the back of the Reflector on the first and second bar and push down until VHF Dipole Kit 'clicks' securely in place.
- 4) Place the other end of the Coaxial Cable with the Weather Boot through the Antenna Base and thread the connector. Once connected, slide the Weather Boot over the connection.
- 5) Assemble the Loop Element using the 3 1/2" Bolt (12).
- 6) Thread coaxial cable (sold separately) into the UHF/VHF OUT on the VHF Dipole Kit.
- 7) Install antenna on J-Mount Mast (6) by positioning clamp onto mast. Tighten Wing Nuts to hold loosely, but do not tighten them completely.
- 8) Attach J-Mount Mast to Mount Base (7) with Hex Bolts and Nuts (11).

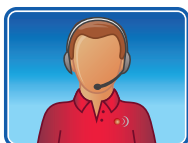
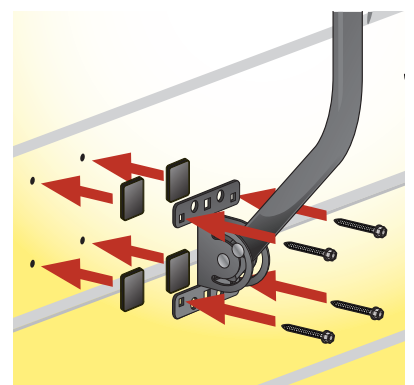


Raise dipoles until they 'click' into place.

Connect opposite end of coaxial cable from the VHF Dipole Kit to your TV or converter box. **Point antenna in direction of your TV stations' broadcast towers, and check reception by scanning for channels. If the reception is not as desired move antenna and rescan.**

When reception is as desired, tighten Wing Nuts to secure antenna to the mast.

- 9) Mark mast base position on desired surface. Drill a 3/16" hole, 1 1/2" deep for each mounting bolt (14). Place Roof Sealing Pads (15) then tighten bolts to secure base to the surface. Place Mount Base End Cap onto mast.

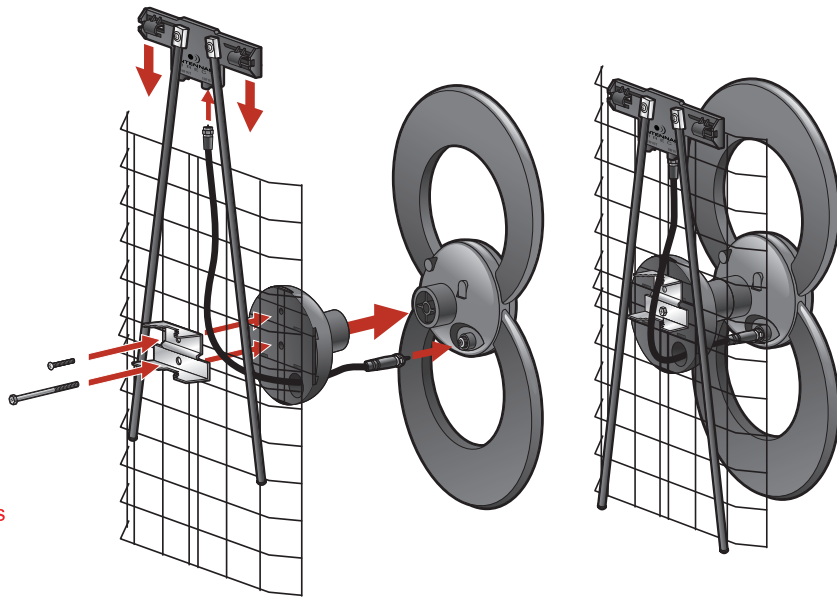


**Call to Learn.**  
**1-877-825-5572**

Technical Assistance is available Monday - Friday,  
9:00 am - 9:00 pm and Saturday - Sunday,  
10:00 am - 6:00 pm Central Time.

## Indoor Assembly and Installation

- 1) Attach Antenna Base at the center of the Reflector and 'click' securely in place.
- 2) Attach the back plate of the Mast Clamp using the 1 1/2" Threaded Bolt (13) as shown.
- 3) Thread one end of the Coaxial Cable into UHF IN on the VHF Dipole Kit. Attach the VHF Dipole Kit onto the back of the Reflector on the first and second bar and push down until VHF Dipole Kit 'clicks' securely in place. (Indoor assembly and installation does not require a weather boot).
- 4) Place the other end of the Coaxial Cable through the Antenna Base and thread the connector.
- 5) Assemble the Loop Element using the 3 1/2" Bolt (12).
- 6) Thread coaxial cable (sold separately) into the UHF/VHF OUT on the VHF Dipole kit.
- 7) Connect opposite end of coaxial cable from the VHF Dipole Kit to your TV or converter box. **Point antenna in direction of your TV stations' broadcast towers, and check reception by scanning for channels. If the reception is not as desired move antenna and rescan.**



Raise dipoles until they 'click' into place.

**NOTE:** We recommend you place padding under the loop element and reflector to protect your furniture.

## Troubleshooting

**Problem:** I'm not getting any signals at all.

**Possible causes:**

1. You **MUST RESCAN** your converter box or TV.

A TV must be set to the proper input source. Using the TV remote control:

- Go into the setup menu and select the proper source. It may be labeled "antenna", "air", "broadcast", or "cable off".
- Within the setup menu select channel setup or channel scan. Again you may need to refer to your TV user's manual for exact directions.
- If the initial rescan does not bring in all designed channels, follow the double rescan procedure below:

Disconnect the antenna from the converter box or digital TV:

- Rescan the converter box or digital TV without the antenna connected. As with any scan, follow the on-screen instructions or owner's manual for your device.
- Unplug the converter box or digital TV from the electrical outlet for at least one minute.
- Reconnect the antenna to the converter box or digital TV and plug the unit into the electrical outlet.
- Rescan the converter box or digital TV one more time.

*Make sure the antenna is facing the broadcast towers in your area. To locate your broadcast towers go to [www.antennapoint.com](http://www.antennapoint.com) or call your local TV station.*

2. You do not have a clear line of sight to your local broadcast towers.

You might need to elevate and/or move your antenna. Using a taller mast may be helpful. You have found the right location for your antenna when all of your local channels appear after a subsequent rescan. Remember to rescan at every location that you try.

3. You are outside of the range of your antenna's capabilities.

Depending upon the distance between your home and the local TV broadcast towers, you may need a longer range antenna. Antennas Direct® offers many models for this purpose.

4. You do not have a clear line of sight to your local broadcast towers.

You might need to elevate and/or move your antenna. Using a taller mast may be helpful. You have found the right location for your antenna when all of your local channels appear after a subsequent rescan. Remember to rescan at every location that you try.

5. You may have loose fitting connections along the cable line.

Check ALL connections for tight fit and check all outdoor connections for moisture or corrosion.

6. Building material such as brick, metal or stucco will inhibit signal. Move your antenna near a window facing the broadcast towers.

**Problem:** I'm receiving every channel except for one.

**Possible causes:**

1. You may need to rescan the TV tuner or converter box. See item 1.
2. The channel you are not receiving may have its transmitter lower on the broadcast tower than the other transmitters and your line of sight is blocked. Try elevating the antenna or moving it to another location.

**Problem:** I'm having signal breakups but I'm only two miles from the broadcast tower.

**Possible causes:**

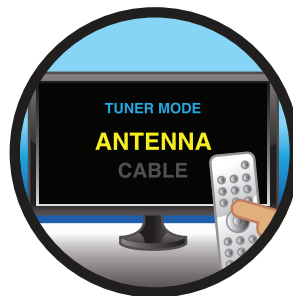
1. Your TV may be receiving interfering signals.

A larger/stronger antenna will not necessarily solve this problem. Consider moving the antenna making sure it is not placed near metal objects or other antennas. If this is not successful, your signal may be too strong. Call our Helpline for an analysis of your area and installation. We can offer simple solutions.

## Before You Return, Call To Learn.



**For Tower Locations:**  
[antennapoint.com](http://antennapoint.com)



**Input On Antenna Mode**



**Scanning is a Must  
When in Doubt, Rescan**

**HELPLINE: 1-877-825-5572**

Model # C2V-J3

Antennas Direct® Inc.  
Lifetime Limited Warranty

Antennas Direct® Inc. warrants this product against any defects in materials or workmanship for as long as you own the product. No warranty claim will be honored unless at the time the claim is made you present proof of purchase from an authorized Antennas Direct Inc. dealer.

Antennas Direct Inc. will either repair or replace the defective product at no charge to you. This warranty covers parts, but does not cover any costs incurred in removal or reinstallation of the product. This limited warranty does not apply if the product is damaged or fails from: misuse, improper installation, abuse, and modification of the product as originally manufactured by Antennas Direct.

Antennas Direct Inc. will not assume any liabilities for any other warranties, expressed or implied by any other person. The foregoing shall be the sole and exclusive remedy of any person, whether in contract, tort or otherwise, and Antennas Direct Inc. shall not be liable for incidental or consequential damage or commercial loss, or from any other loss or damage as set forth above.

16388 Westwoods Business Park, St. Louis, MO 63021