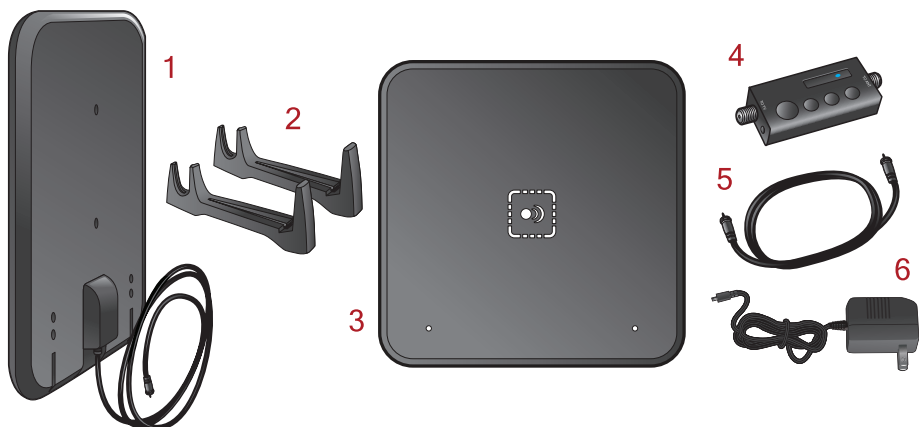


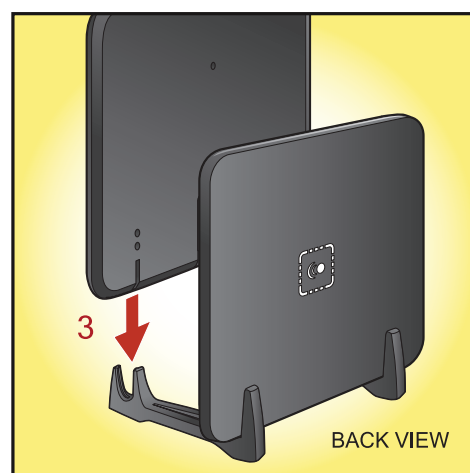
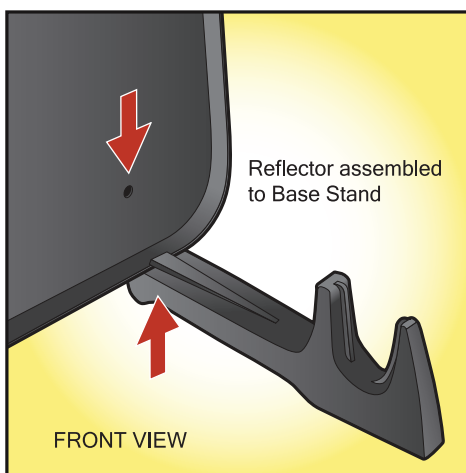
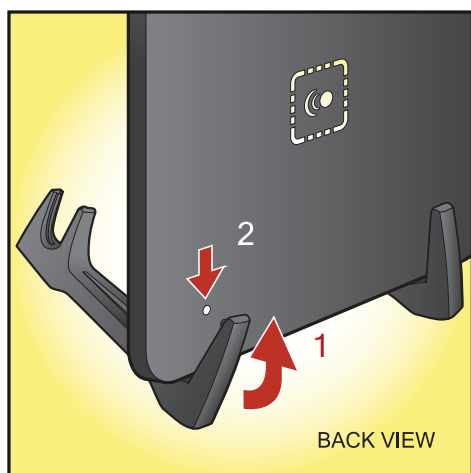
CLEARSTREAM™ Micron XG

Before beginning assembly, make sure all pieces needed are present.



The CLEARSTREAM™ Micron XG Indoor Antenna comes with:

- 1 - Antenna Panel with 6 ft. Coaxial Cable
- 2 - Base Stands (2)
- 3 - Reflector
- 4 - In-Line Amplifier
- 5 - 3 ft. Coaxial Cable for In-Line Amplifier
- 6 - Power Supply



Antenna Assembly

Insert the Reflector into each of the Base Stands by sliding the bottom edge of the Reflector under the tab as shown (1), line up the button on the back of the Base Stand with hole in Reflector (2), 'click' securely into place.

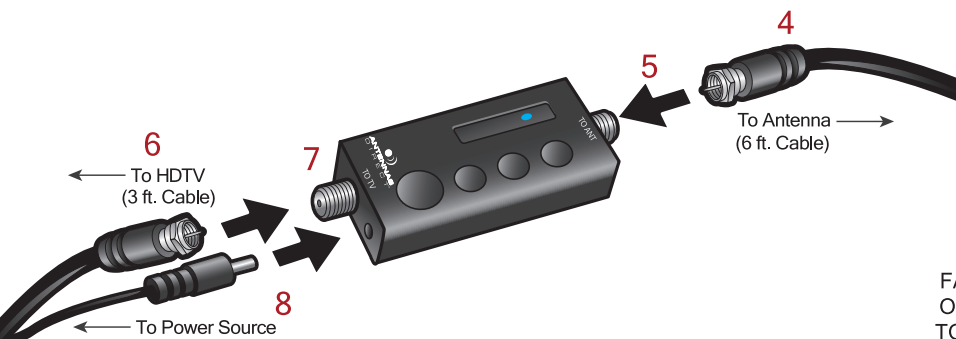
Place the Antenna Panel on each Base Stand by lining up the grooves on the back of the Antenna Panel with the tabs on the Base Stands. Slide down until Antenna Panel is in place (3).

In some areas, broadcast signals are strong enough that an amplifier is not necessary. Connect the Antenna to your TV/converter box without the amplifier first, if reception is not as desired, follow the instructions below to install the Antenna with the Amplifier.

Installation without Amplifier:

1. Connect the coaxial cable from the Antenna Panel to the "Antenna Input" on the TV/converter box.
2. Follow the instructions in your TV owner's manual to change the input from "CABLE" to "ANTENNA" or "AIR" or "BROADCAST".
3. Perform a channel scan.

Note: To locate your broadcast towers, go to antennapoint.com or call your local TV station. You may need to relocate the antenna in various areas of the room to receive broadcast signals. Remember to perform a channel scan at every location you try.



Installation with the Amplifier

1. Connect the coaxial cable (4) from the Antenna Panel to the "TO ANTENNA" connector (5) on the Amplifier.
2. Connect the provided 3 ft. coaxial cable (6) between the Amplifier's "TO HDTV" connector (7) and the "Antenna Input" on your TV/converter box.
3. Connect the Power Supply connector (8) to the Amplifier and plug the Power Supply into a wall outlet. Verify the blue LED light is on.
4. Perform a channel scan on your TV/converter box.

Some Helpful Tips:

1. Be ready to experiment with various locations and rotations of the antenna in your home.
2. The best location is usually in front of a window facing the broadcast towers (visit antennapoint.com to find the broadcast tower (s) near you).
3. Use a longer cable, if necessary, to extend the factory installed cable on the antenna. You can purchase extra cable and a coaxial coupler to attach the two cable ends at your local electronics store.



Call to Learn.
1-877-825-5572

Technical Assistance is available Monday - Friday, 9:00 am to 9:00 pm and Saturday - Sunday, 10:00 am to 6:00 pm Central Time.

Troubleshooting

Problem: I'm not getting any signals at all.

Possible causes:

1. Analog-only televisions (manufactured before 2009) need a digital converter box. You **MUST** perform a channel scan on the converter box.
2. A digital TV must be programmed in order to receive digital channels.
 - a) A TV must be set to the proper input source. Go into your TV's setup menu and select the proper source. It may be labeled "Antenna", "Air", "Broadcast", or "Cable Off".
 - b) Within the setup menu, select channel setup or channel scan. You may need to refer to your TV owner's manual for exact directions.
3. If you are not receiving all channels as desired, adjust or relocate the antenna and perform another channel scan. Repeat this step as needed.
4. To reset the tuner completely, perform the "double rescan" procedure as follows:
 - a) Disconnect the antenna from the converter box or digital TV.
 - b) Rescan the converter box or digital TV without the antenna connected. As with any scan for a TV or converter box, follow the on-screen instructions or owner's manual.
 - c) Unplug the converter box or digital TV from the electrical outlet for at least one minute.
 - d) Reconnect the antenna to the converter box or digital TV and plug the unit into the electrical outlet.
 - e) Repeat the scan procedure for the converter box or digital TV as needed.

Make sure the front of the antenna is facing the broadcast towers in your area. To locate your broadcast towers visit www.antennapoint.com or call your local TV station.

5. You do not have a clear line of sight to your local broadcast towers. You might need to elevate and/or move your antenna. You have found the right location for your antenna when all of your local channels appear after a subsequent rescan. Remember to rescan at every location that you try.

6. You are beyond the range of your antenna's capabilities. Depending upon the distance between your home and the local TV broadcast towers, you may need a long range outdoor/attic antenna. Antennas Direct offers many models for this purpose.

7. You may have loose fitting connections along the cable line. Check ALL connections for tight fit.

8. Building material such as brick, metal or stucco will inhibit signal. Move your antenna near a window facing the broadcast towers.

Problem: I'm receiving every channel except for one.

Possible causes:

1. You may need to rescan the TV tuner or converter box. The channel you are not receiving may have its transmitter lower on the broadcast tower than the other transmitters and your line of sight is blocked. Try elevating the antenna or moving it to another location.

2. Some stations transmit on VHF channels that are harder to receive with an indoor antenna. Check antennapoint.com to find out if the station you are trying to receive is a UHF or VHF station. If the station you are missing is a VHF station, it may be necessary to upgrade a larger outdoor/attic antenna such as the ClearStream™ 2V. Call our customer service helpline for more information.

Problem: I'm having signal breakups but I'm only two miles from the broadcast tower.
Possible causes:

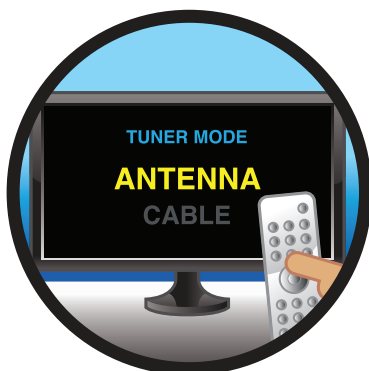
1. Your TV may be receiving interfering signals.

A larger/stronger antenna will not necessarily solve this problem. Consider moving the antenna making sure it is not placed near metal objects or other antennas. If this is not successful, your signal may be too strong. Call our Helpline for an analysis of your area and installation. We can offer simple solutions.

Before You Return, Call To Learn.



**For Tower Locations:
antennapoint.com**



Input On Antenna Mode



**Scanning is a Must
When in Doubt, Rescan**

HELPLINE: 1-877-825-5572

Model #CSM1-XG

Amplifier Regulatory Notice:

This device complies with part 15 of the FCC Rules. Operation is subject to the following two conditions.

(1) This device may not cause harmful interference, and (2) this device must accept any interference received, including interference that may cause undesired operation.

This equipment has been tested and found to comply with the limits for a Class B Digital Device, pursuant to Part 15 of the FCC Rules. These limits are designed to provide reasonable protection against harmful interference in a residential installation.

This equipment generates, uses, and can radiate radio frequency energy and, if not installed and used in accordance with the instructions, may cause harmful interference to radio communication. However, there is no guarantee interference will not occur in a particular installation.

If this equipment does cause harmful interference to radio or television reception, which can be determined by turning the equipment off and on, the user is encouraged to try to correct the interference by one of more of the following measures:

1. Reorient or relocate the antenna.
2. Increase the separation between the equipment and converter box
3. Connect the equipment into an outlet on a different circuit from which the converter box is connected.

Antennas Direct® Inc.
Lifetime Limited Warranty

Antennas Direct® Inc. warrants this product against any defects in materials or workmanship for as long as you own the product. No warranty claim will be honored unless at the time the claim is made you present proof of purchase from an authorized Antennas Direct Inc. dealer.

Antennas Direct Inc. will either repair or replace the defective product at no charge to you. This warranty covers parts, but does not cover any costs incurred in removal or reinstallation of the product. This limited warranty does not apply if the product is damaged or fails from: misuse, improper installation, abuse, and modification of the product as originally manufactured by Antennas Direct.

Antennas Direct Inc. will not assume any liabilities for any other warranties, expressed or implied by any other person. The foregoing shall be the sole and exclusive remedy of any person, whether in contract, tort or otherwise, and Antennas Direct Inc. shall not be liable for incidental or consequential damage or commercial loss, or from any other loss or damage as set forth above.

16388 Westwoods Business Park, St. Louis, MO 63021